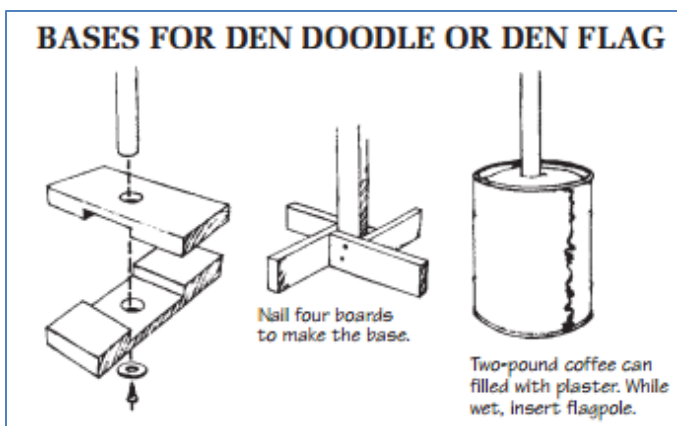


# Den Flags

Den flags are simple flags that represent each den and give den members a sense of camaraderie and identification. The flag should be decorated by the scouts and feature the den number somewhere on it. Scouts will feel a deeper connection to their flag if they help design and decorate it.



Basic Den Flags are available from the BSA Scout Store or can be made with a pillowcase and iron-on lettering. The flag may go home with a different boy after each meeting or may be the responsibility of the Denner for the month. The flag should be brought to each pack meeting and mark the place where the den sits.



Make bases from wood or from a two-pound coffee can filled with plaster, as shown. Cover the end of the flagpole with aluminum foil and grease with a thick layer of petroleum jelly so it will slip out easily after the plaster hardens. Or use a piece of PVC pipe that has an opening slightly larger than the diameter of the flagpole. Cover the bottom end of the PVC with foil and set it into the wet plaster. It should stick several inches out of the plaster. When dry, the pole will slip easily into the PVC pipe.



## Displaying Awards

Some Dens may choose to use their flag for displaying special awards or recognition that the scouts earn as a team. This may include:

- recognition for participating in Pack Meetings and activities
- group conduct awards
- individual achievements
- attaching special activity patches or pins

Consider hanging beaded lanyards from your flag's pole to attach special tokens throughout the year.

